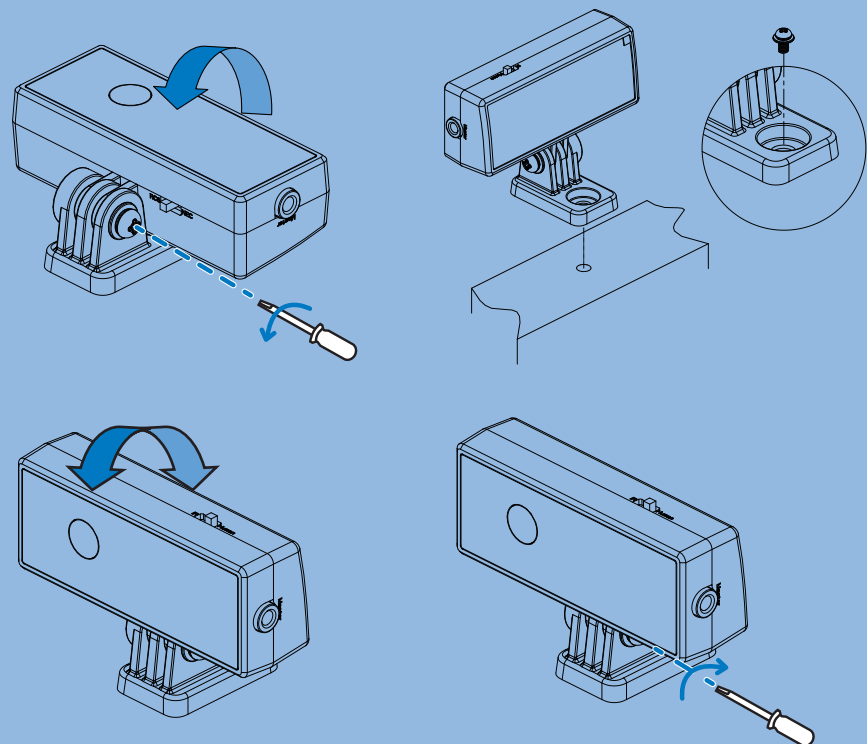
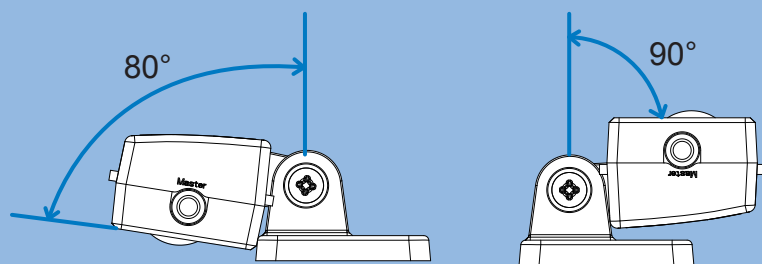


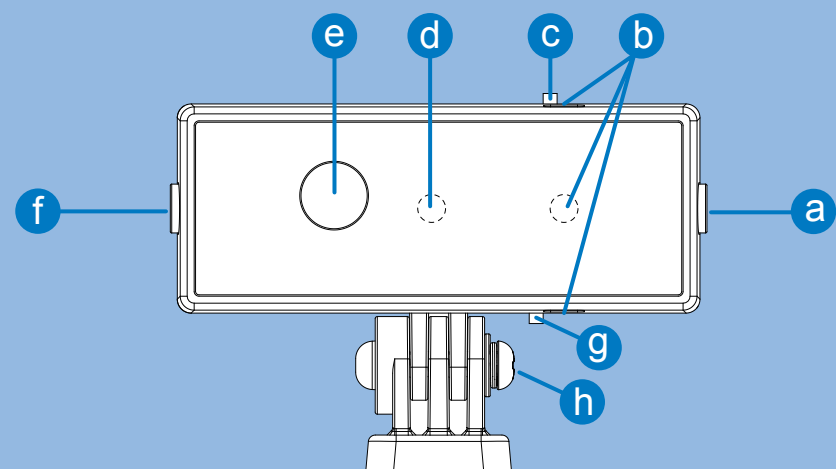
1



1



2



- a** Master (IN)
- b** Light Sensor
- c** IR/Human Motion sensor switch
- d** IR Sensor
- e** Human Motion Sensor
- f** Extender (OUT)
- g** RC6
- h** Hinge adjustment

Register your product and get support at www.philips.com/welcome

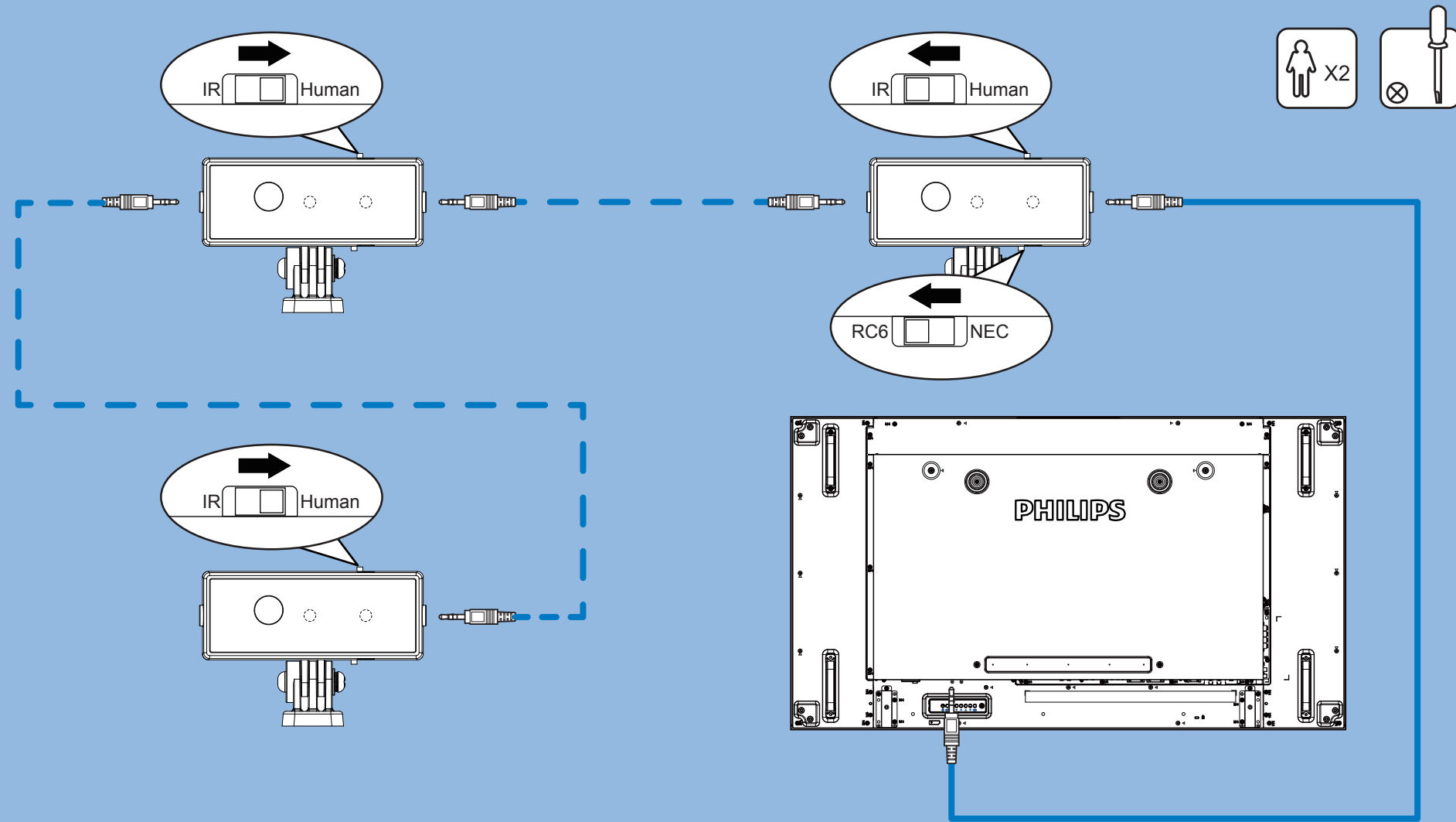
CRD4I



Quick Start

PHILIPS

3



© 2015 Koninklijke Philips N.V. All rights reserved.

Philips and the Philips Shield Emblem are registered trademarks of Koninklijke Philips N.V. and are used under license from Koninklijke Philips N.V.

Specifications are subject to change without notice.

Version: 1.00 2015-08-07



Q41G46M181320A